

Yılmaz АСК 420

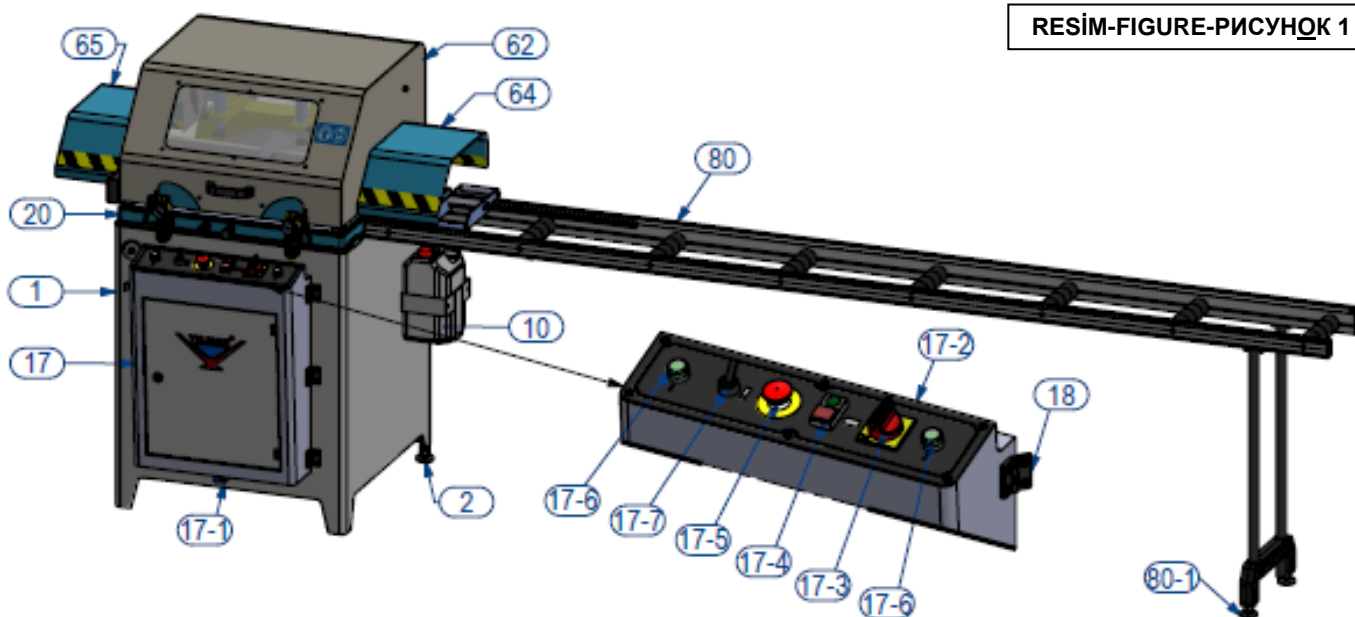
Отрезная одноголовочная пила с нижней подачей диска Ø = 420 мм

Номенклатура запасных частей

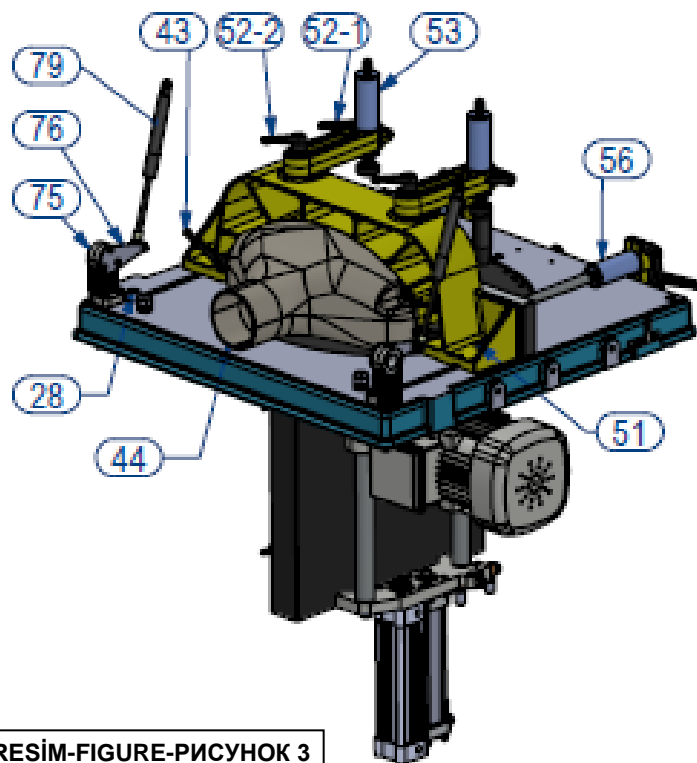
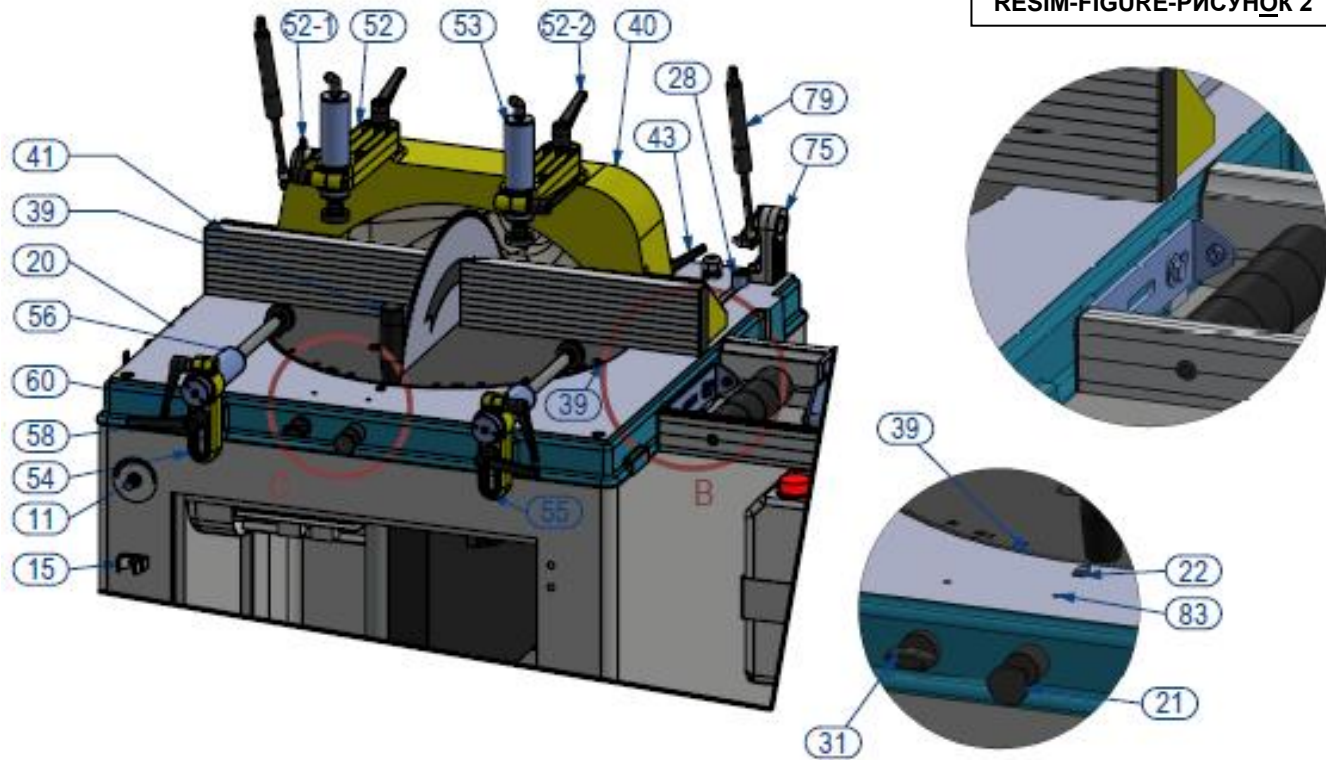


PARÇA LİSTESİ - PART LIST - ПЕРЕЧЕНЬ ДЕТАЛЕЙ

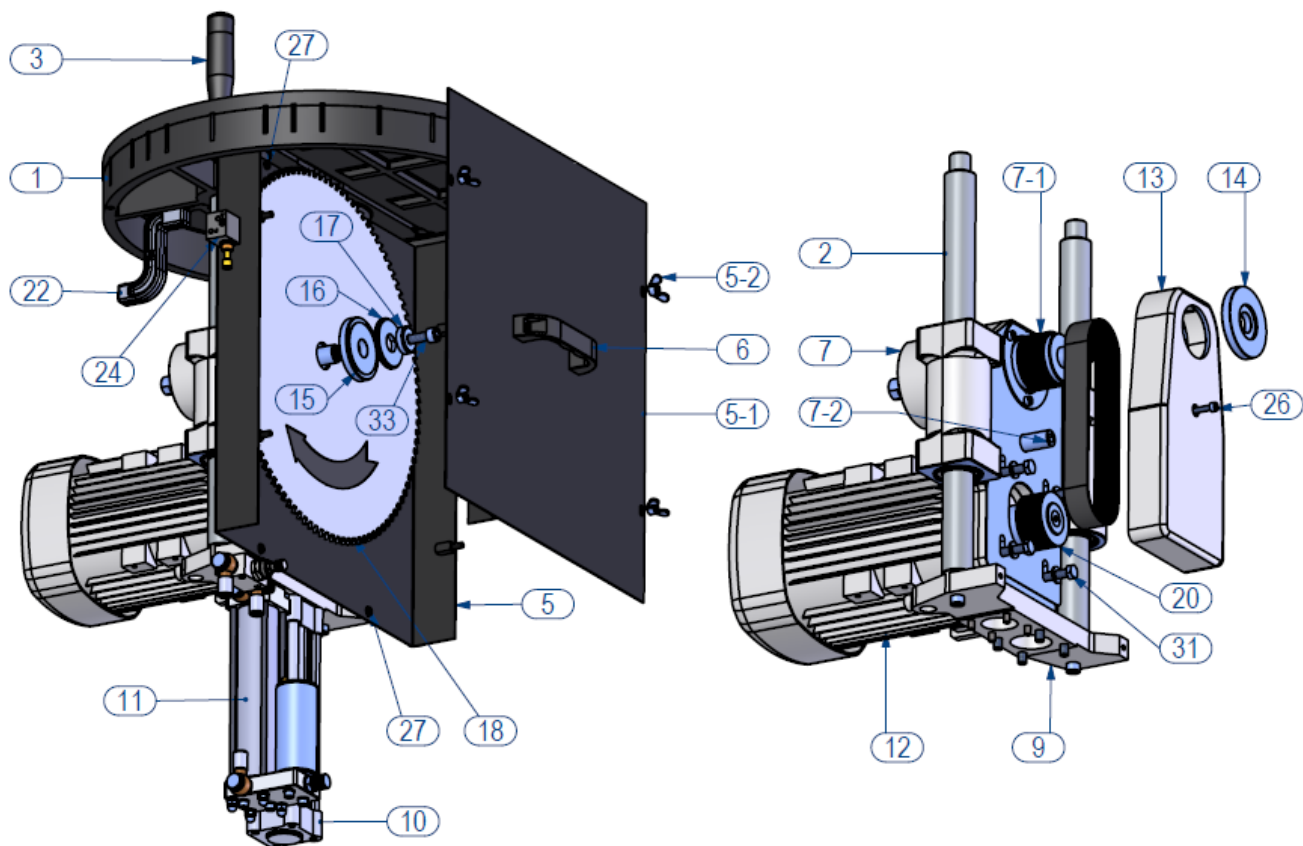
RESİM-FIGURE-РИСУНОК 1



RESİM-FIGURE-РИСУНОК 2




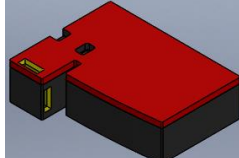
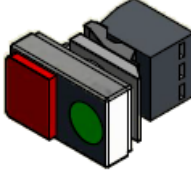


RESİM-FIGURE-РИСУНОК 3



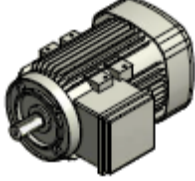

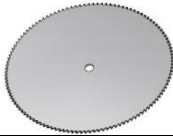



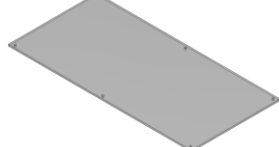
NO номер	STOK KODU STOCK CODE ПОРЯДОК КОД	ADET QTY КОЛИЧЕСТВО	NO номер	STOK KODU STOCK CODE ПОРЯДОК КОД	ADET QTY КОЛИЧЕСТВО
1	1SA010000-0091	1	40	2TU012510-0573	1
2	1SC170000-0007	2	41	2TU012310-0007	2
10	* 1PL010000-0019	1	43	3UA040030-0011	2
11	1HD050000-0001	1	44	2TU012510-0557	1
15	1PL050000-0035	1	52	2TU012610-0044	2
17	3UA120030-0200	1	53	3UA060030-0004	2
17-1	1EL020000-0005	2	54	2TU012610-0010	1
17-2	2ET022441-0090	1	55	2TU012610-0054	1
17-3	1EL010000-0046	1	56	* 3UA060030-0017	2
17-4	1EL090000-0016	1	58	3UA040030-0002	2
17-5	1EL090000-0001	1	60	3UA040030-0017	2
17-6	1EL090000-0009	2	62	1SA030000-0131	1
17-7	1PN010000-0055	1	64	1SA030000-0131-1	1
18	1SC140000-0002	3	65	1SA030000-0131-2	1
20	2TU012550-0556	1	69	1EL020000-0005	1
21	3UA030030-0008	1	75	2TU012510-0574	2
22	2TU011441-0017	1	76	2TU011441-1107	2
28	2TU011110-0024	2	79	1YY030000-0013	2
31	2TU011110-0144	1	80	4UN300030-0001	1
39	1PL010000-0103	1			

NO номер	STOK KODU STOCK CODE ПОРЯДОК КОД	ADET QTY КОЛИЧЕСТВО	NO номер	STOK KODU STOCK CODE ПОРЯДОК КОД	ADET QTY КОЛИЧЕСТВО
1	2TU011610-0015	1	14	2TU011110-0422	1
2	2TU015010-0053	2	15	2TU011110-0423	1
3	1PL010000-0103	1	16	2TU011441-0016	1
4	2TU011210-0291	2	17	2TU011110-0488	1
5	1SA050000-0003	1	18	1SK010000-0074	1
6	1PL010000-0016	1	19	1SR070000-0015	1
7	2TU012510-0274	1	20	2TU012110-0011	1
7-1	2TU011110-0476	2	21	2TU011110-0010	1
7-2	2TU011110-1027	1	22	2TU012510-0574-0	2
8	2TU011210-0106	1	24	*1PN010000-0012	1
9	2TU012510-0204	1	26	1SC021000-0008	7
10	1PN020000-0007	1	27	1SC041000-0011	4
11	3UA050030-0001	1	31	1SC011000-0018	4
12	1EL070001-0001	1	33	1SC021000-0003	1
13	2TU012510-0203	1			

* OPSİYONEL / OPTIONAL / ДОПОЛНИТЕЛЬНЫЕ

YEDEK PARÇA LİSTESİ / SPARE PART LIST / СПИСОК ЗАПАСНЫХ ЧАСТЕЙ			
PARÇA NO PART NO НОМЕР	RESİM FIGURE РИСУНОК	STOK KODU / CODE ПОРЯДОК КОД	PARÇA ADI – PART NAME НАИМЕНОВАНИЕ ДЕТАЛИ
17-1		1EL020000-0005	KAPAK SWİTCH COVER SWITCH
		1EL020000-0025	KAPAK SWİTCH (CE) COVER SWITCH (CE)
17-4		1EL090000-0017	ŞALTER SWITCH
17-5		1EL090000-0001	XB4-BS8442 ACİL STOP BUTONU EMERGENCY STOP BUTTON
17-7		1PN010000-0055	MENGENE BUTONU CLAMP BUTTON

17-6		1EL090000-0009	BUTON BUTTON
17-3		1EL010000-0046	ANA ŞALTER MAIN SWITCH
41		2TU012310-0007	HAREKETLİ GÖNYE MOVING SETSQUARE
52		2TU012610-0044	MENGENE YATAĞI CLAMP MOUNTING BRACKET
53		3UA046030-0004	PNÖMATİK MENGENE PNEUMATIC CLAMP
		1PL010000-0033	MENGENE PABUCU CLAMP FEET
10		1PN020000-0007	PİSTON (PNY-AY 50x160) PISTON (PNY-AY 50x160)
11		3UA050030-0001	HİDROÇEK ÜNİTESİ HYDROCONTROL UNIT
79		1YY030000-0013	AMORTİSÖR SHOCK ABSORVER
		3UA110030-0020	ŞARTLANDIRICI LUBRICATOR
24		1PN010000-0012	SPRAYER SU PÜSKÜRTME VALF WATER SPRAY VALVE
		1PN140000-0005	1/8-6 DİRSEK 1/8-6 FITTING

12		<p>1EL070001-0002 (230V-1P 50 Hz)</p> <p>1EL070001-0017 (240V-1P 50 Hz)</p> <p>1EL070001-0019 (220V-1P 60 Hz)</p> <p>1EL070001-0001 (400V-415V 3P 50 Hz) (440V-3P 60 Hz)</p>	MOTOR MOTOR
		1SR070000-0015	MOTOR KAYIŞI MOTOR BELT
18		1SK010000-0074	TESTERE BIÇAĞI SAW BLADE
		1SC140000-0006	MENTEŞE HINGE
52-2		3UA040030-0001	M12*60 PİPO M12*60 HANDLE
52-1		3UA040030-0005	M8*45 PİPO M8*45 HANDLE
		1PL040000-0022	MUHAFAZA CAMI GUARD GLASS